

71
model

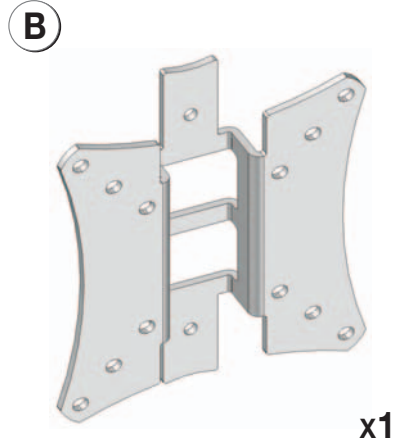
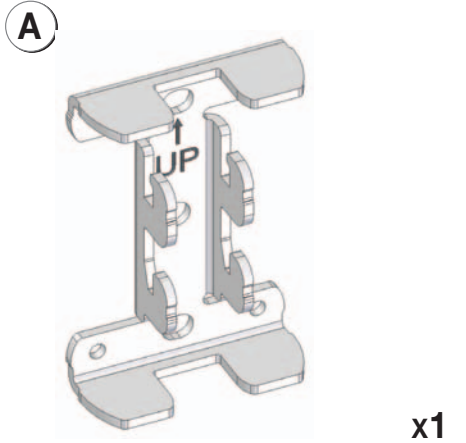
Fixed LCD MOUNT

Assembly instructions

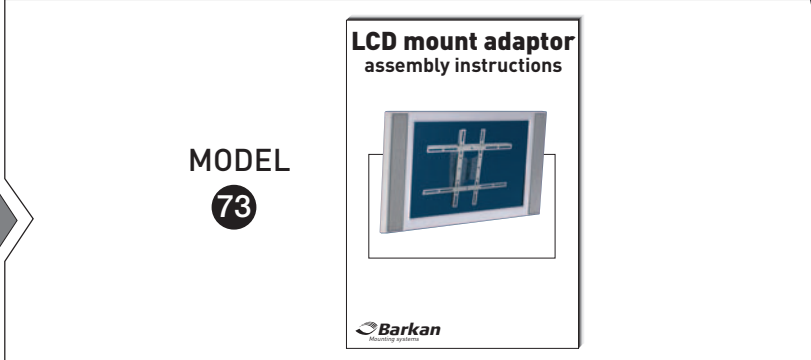
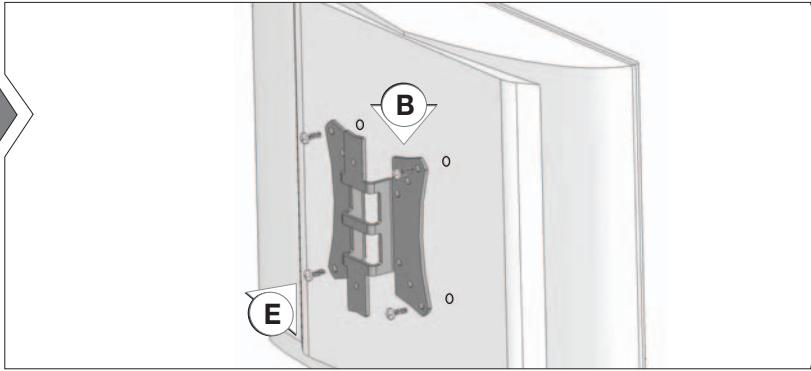
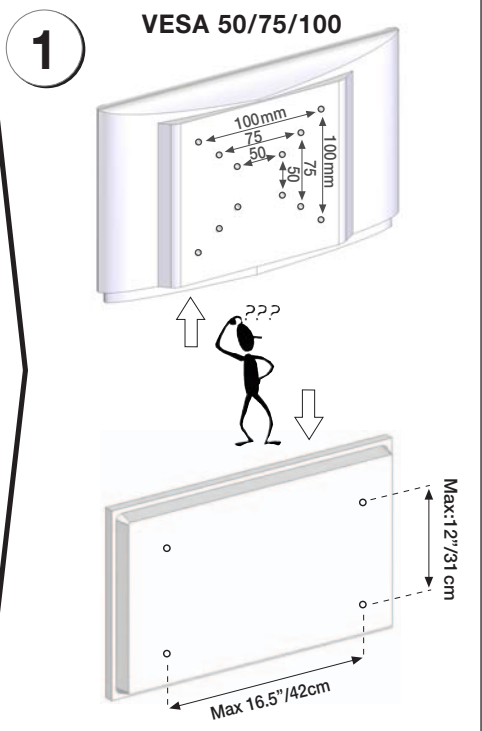
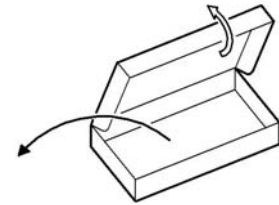
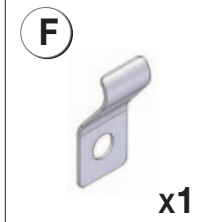
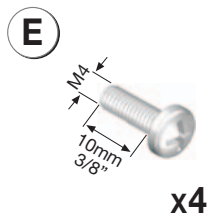
Max LCD
30"/76cm
VESA 50/75/100

| Max | |
|-------|------|
| US | EU |
| 55lbs | 25kg |

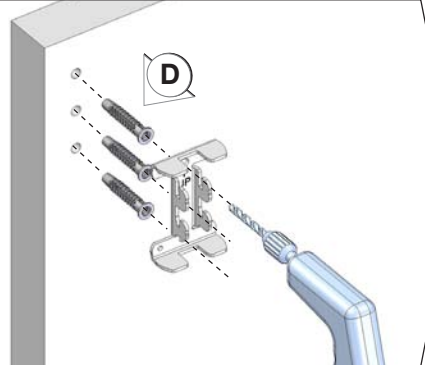
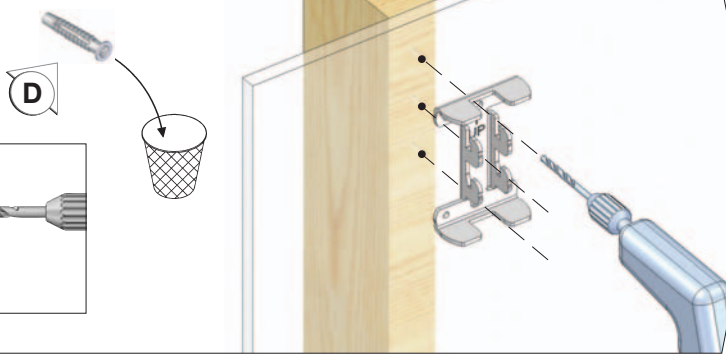
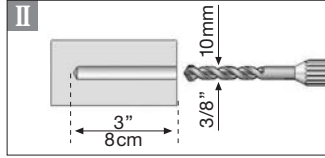
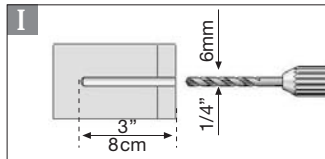
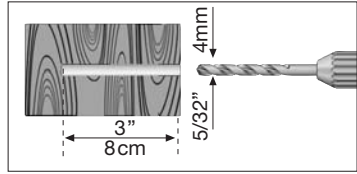
1:2



Please make sure that package contains all parts



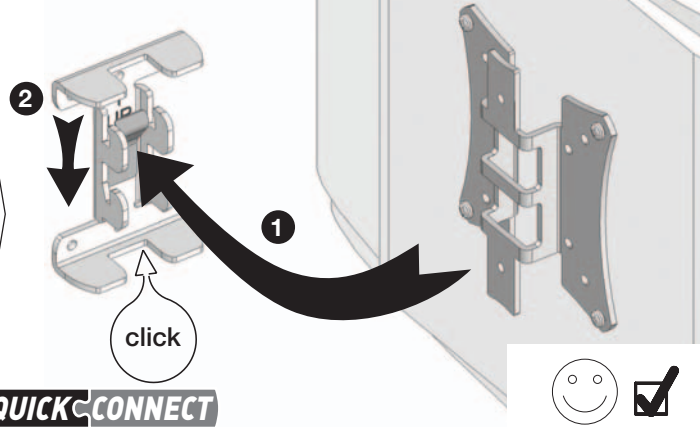
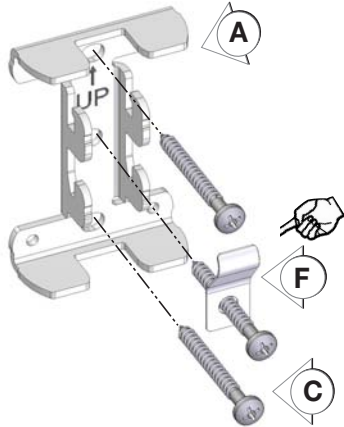
2



3

3

3



QUICKCONNECT

DISCONNECT

